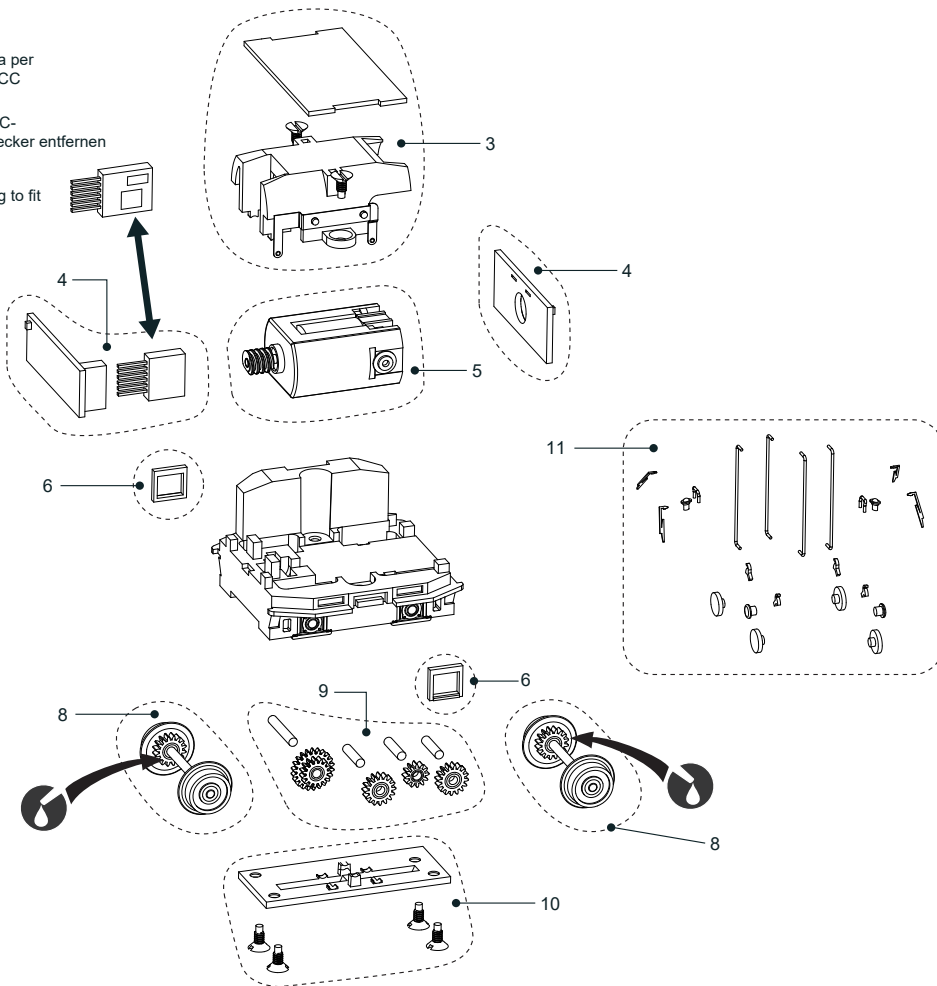


Estrarre la finta spina per inserire il decoder DCC

Zum Einbau des DCC-Decoders Dummstecker entfernen

Remove dummy plug to fit DCC decoder



Akkuschleppfahrzeug ASF

LISTA RICAMBI / ERSATZTEILLISTE / LIST OF SPARES

N° di parte Teil-Nr. Item No.	Descrizione Bezeichnung Description	N° di ricambi Ersatzteil-Nr. Spare part ref.
2	Confezione attacco Kupplungsatz Coupling Pack	HR2313/02
3	Supporto motore e cover Motorhalterung und-abdeckung Motor support and cover	HR2313/03
4	PCB Leiterplatte PCB board	HR2313/04
5	Confezione motore Motor Motor pack	HR2313/05
6	Gradini Führerstandsleitern Steps	HR2381/06
8	Azionamento set ruote Radsätze Wheelsets	HR2313/08
9	Ingranaggi ed assi Zahnräder und Achsen Gears and axles	HR2313/09
10	Cover scatola ingranaggi Bodenabdeckung Bottom cover	HR2313/10
11	Accessori (mancorrenti, tergicristalli, etc.) Kleintelle (Scheibenwischer, etc.) Small pieces (wipers, hooks, buffers, etc.)	HR2866/11

Manufactured by:
Hornby Hobbies Ltd
Westwood, Margate, Kent, CT9 4JX, UK

EU Authorised Representative:
Hornby Italia SRL
Viale dei Caduti, 52/A6, Castel Mella (BS), Italy, 25030

DE +49 8921094551
customerservices.de@hornby.com
technicalservices.de@hornby.com

IT +39 0687501292
customerservices.it@hornby.com
technicalservices.it@hornby.com

ES +34 938004786
customerservices.es@hornby.com
technicalservices.es@hornby.com

UK +44 (0)1843 233525
customerservices.uk@hornby.com
technicalservices.uk@hornby.com



Service Sheet HRBS-520m

Issued May 2020