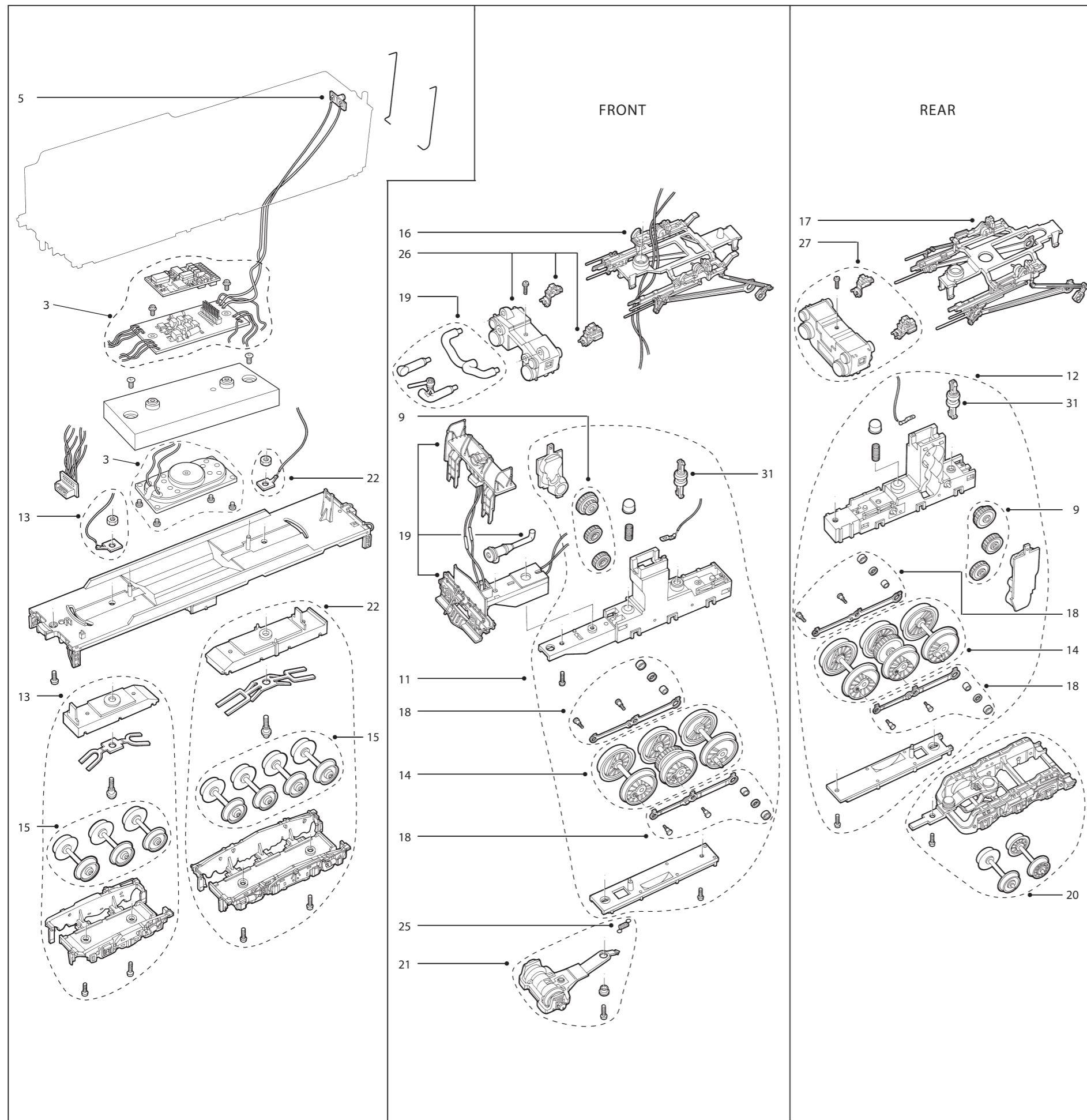


Item No Art.-Nr. Reference N. di parte	Description Bezeichnung Description Descrizione	Pack Pckg Pack Confezione	HR2051
1	Motor + Flywheel Motor + Schwungrad Moteur + volant Motore + volano	1	HS1393
2	Motor Support Motorhalterung Soutien moteur Supporto motore	1	HS1150
3	PCB /Decoder/Speaker Hauptleiterplatte/Decoder/Lautsprecher Carte principale de circuit imprimé/Décodeur/Haut-parleur Scheda principale a circuiti stampati/Decoder/Altoparlante	1	HS1783
4	PCB Board Loco Lok-Leiterplatte Carte de circuit imprimé loco Scheda a circuiti stampati loco	1	HS1435
5	Lights Board Loco Lok-Lichtleiterplatte Carte de circuit imprimé éclairage loco Scheda circuiti stampati luci loco	1	HS1436
6	Coupling Pack Kupplungssatz Pack d'attelage Confezione attacco	10	HS1437
7	Worm Pinion / Shaft Assembly Schneckenantriebs/Wellen-Baugruppe Pignon a vis sans fin / e nsemble axe Gruppo pignone solidale / albero	2	HS1438
8	Universal Shaft Assembly Universalwellen-Satz Ensemble axe universel Confezione albero universale	10	HS1399
9	Gear Set Zahnrad-Satz Ensemble d'engrenages Set ingranaggi	set	HS1439
10	Gear Box Cover Pack Getriebe-Abdeckungs-Satz Pack couvercle du boîtier d'engrenages Confezione carter trasmissione	10	HS1401
11	Drive Unit Front Antriebseinheit vorn Motrice avant Azionamento anteriore	1	HS1440
12	Drive Unit Rear Antriebseinheit hinten Motrice arrière Azionamento posteriore	1	HS1441
13	Front Bogie Tender (with wheels) Drehgestell vorn (Tender, mit Rädern) Tender bogie avant (avec roues) Carrello anteriore tender (con ruote)	1	HS1442
14	Wheel Set (Loco) Radsatz (Lok) Jeu de roues (loco) Set ruote (loco)	set	HS1443
15	Wheel Set (Tender) Radsatz (Tender) Jeu de roues (tender) Set ruote (tender)	set	HS1444
16	Valve Gear Set (Front) Steuerungs-Satz (vorn) Jeu d'engrenages des soupapes (avant) Set distribuzione (anteriore)	set	HS1445
17	Valve Gear Set (Rear) Steuerungs-Satz (hinten) Jeu d'engrenages des soupapes (arrière) Set distribuzione (posteriore)	set	HS1446



Item No Art.-Nr. Reference N. di parte	Description Bezeichnung Description Descrizione	Pack Pckg Pack Confezione	HR2051
18	Coupling Rods Pack Kupplungsstangen-Satz Pack de bielles d'accouplement Confezione aste attacco	10	HS1447
19	Platform Pack Plattform-Satz Pack plate-forme Confezione piattaforma	pack	HS1448
20	Bogie Rear Loco (with wheels) Drehgestell hinten (Lok, mit Rädern) Bogie loco arrière (avec roues) Carrello posteriore loco (con ruote)	1	HS1449
21	Bogie Front Loco (with wheels) Drehgestell vorn (Lok, mit Rädern) Bogie loco avant (avec roues) Carrello anteriore loco (con ruote)	1	HS1450
22	Rear Bogie Tender (with wheels) Drehgestell hinten (Tender, mit Rädern) Tender bogie arrière (avec roues) Carrello posteriore tender (con ruote)	1	HS1451
23	Assembly Pack (for loco) Baugruppen-Satz (für Lok) Pack de montage (pour loco) Confezione complessivo (per loco)	pack	HS1452
not illustrated (nicht abgebildet) (non illustré) (non in figura)	Smoke Box Door Assembly Pack Rauchkammertür-Baugruppensatz Pack de montage porte de boîte à fumée Confezione gruppo camera a fumo	pack	HS1453
25	Bogie Springs Drehgestellfedern Ressorts bogie Molle carrello	4	HS1454
26	Cylinder Block Front Zylinderblock vorn Bloc vérin avant Blocco cilindri anteriore	1	HS1455
27	Cylinder Block Rear Zylinderblock hinten Bloc vérin arrière Blocco cilindri posteriore	1	HS1456
28	Tender to Loco Connector Tender-Lok-Steckverbinder Connecteur tender-loco Connettore tender/loco	1	HS1457
29	Assembly Pack (for tender) Baugruppen-Satz (für Tender) Pack de montage (pour tender) Confezione complessivo (per tender)	pack	HS1458
30	Screws Pack (body removable) Schrauben-Satz (für Aufbaubefestigung) Pack de vis (démontage du corps) Confezione viti (estraibili dal corpo)	pack	HS1459
31	Centre Pin Pack Drehzapfen-Satz Pack de tige centrale Confezione perno centrale	10	HS1423
32	Boiler Parts Pack Kesselteile-Satz Pack de pièces chaudière Confezione parti caldaia	pack	HS1460

