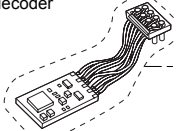


Estrarre la finta spina per inserire il decoder dcc

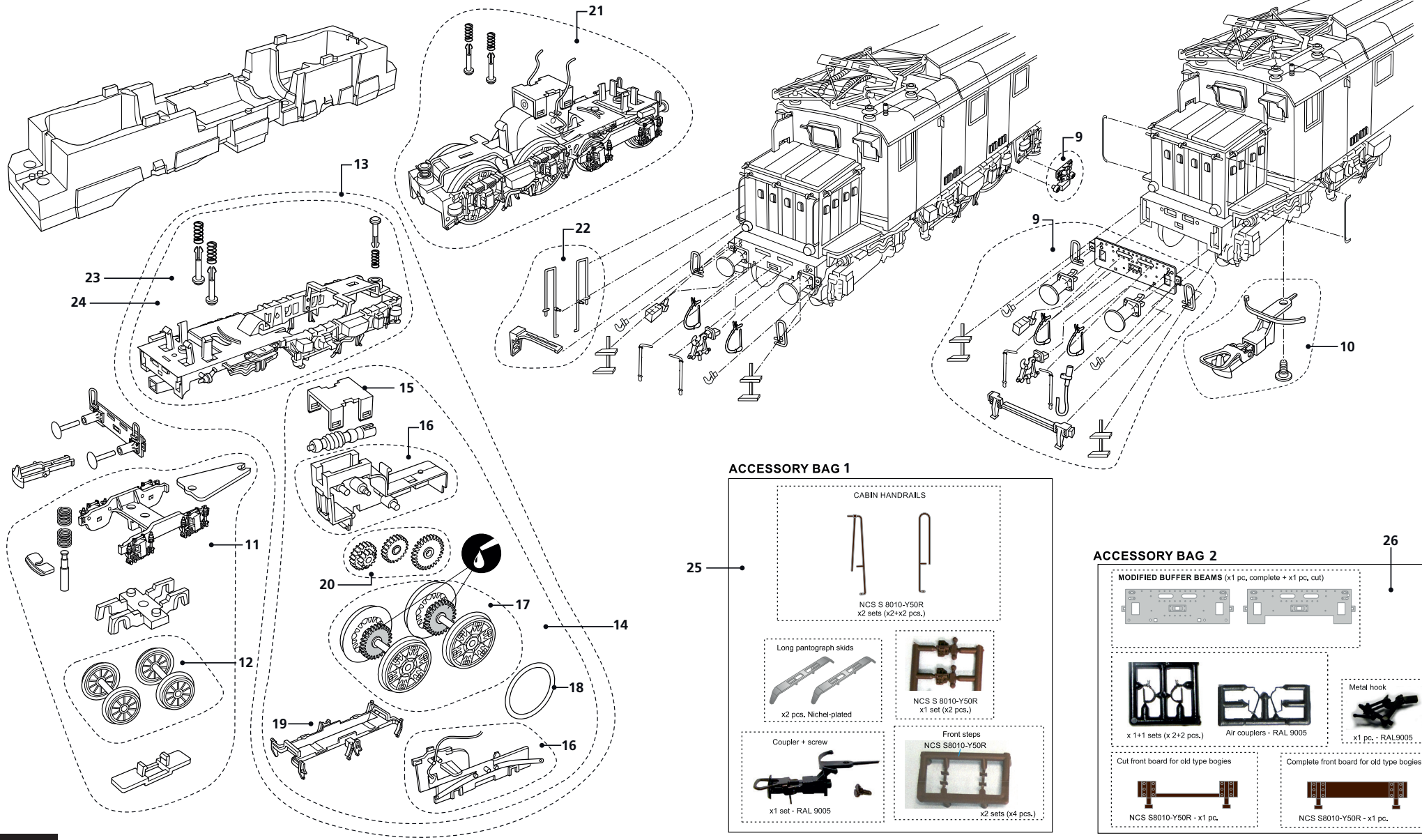
Zum Einbau des DCC-Decoders Dummystecker entfernen

Remove dummy plug to fit dcc decoder



LISTA RICAMBI / ERSATZTEILLISTE / LIST OF SPARES

N° di parte Teil-Nr. Item No.	Descrizione Bezeichnung Description	N° di ricambi Ersatzteil-Nr. Spare part ref.
1	Carrozzeria Gehäuse Bodyshell	HR2565/01
2	Tetto Dachhaube Roof cover	HR2565/02
3	Set pantografo Stromabnehmersatz Pantograph set	HR2272/03
4	Circuito stampato principale Hauptleiterplatte Main PCB Board	HR2565/04
5	Scheda circuito stampato luci Lichtleiterplatte Lights board	HR2565/05
6	Vite senza fine Antriebschnecke Worm gear	HR2272/06
7	Giunto cardanico Universal-Kardanwellensatz Universal Shaft pack	HR2272/07
8	Confezione motore Motorsatz Motor pack	HR2565/08
9	Confezione aggiuntivi / respingenti Satz Kleinteile für Chassis Set of small parts for chassis	HR2565/09
10	Confezione gancio Kupplungsatz Coupling Pack	HR2272/10
11	Carrello portante Vorlaufdrehgestell Pony truck	HR2565/11
12	Assali per carrello portante Achsen für Vorlaufdrehgestell Axles for pony truck	HR2565/12
13	Carrello motore 2 completo (motori 5-8) Antriebsdrehgestell 2, komplett (motore 5 - 8) Complete bogie n° 2 (motore 5 - 8)	HR2565/13
14	Trasmissione Antrieb-Satz Drive unit	HR2565/14
15	Coperchio vite senza fine Getriebeabdeckung worm gear cover	HR2434/15
16	Carrello (senza ruote) Drehgestellblende (ohne Räder) Bogie chassis for driven bogie	HR2272/16
17	Set ruote motrici Radsatz Wheelset	HR2565/17
18	Anelli di aderenza Haftreifen Traction tyres pack	HR2272/18
19	Coperchio carrello con freni Drehgestellboden Bogie cover with brakes	HR2565/19
20	Ingranaggi Zahnräder Gears	HR2272/20
21	Carrello motore 1 completo (motori 1-4) Antriebsdrehgestell 1, komplett (motore 1 - 4) Complete bogie n° 1 (motore 1 - 4)	HR2565/21
22	Gradini e corrimano Führerstandsleitern und Griffstangen Steps and handrails	HR2565/22
23	Carrello (senza ruote motori 5-8) Drehgestell (ohne Räder motore 5 - 8) Bogie Assembly (without wheels motore 5 - 8)	HR2565/23
24	Carrello (senza ruote motori 1-4) Drehgestell (ohne Räder motore 1 - 4) Bogie Assembly (without wheels motore 1 - 4)	HR2565/24
25	Set aggiuntivi 1 Zurüstbeutel 1 Accessory Bag 1	HR2565/25
26	Set aggiuntivi 2 Zurüstbeutel 2 Accessory Bag 2	HR2565/26



ACCESSORY BAG 1

<p>CABIN HANDRAILS</p> <p>NCS S 8010-Y50R x2 sets (x2+x2 pcs.)</p>	
<p>Long pantograph skids</p> <p>x2 pcs. Nichel-plated</p>	<p>NCS S 8010-Y50R x1 set (x2 pcs.)</p>
<p>Coupler + screw</p> <p>x1 set - RAL 9005</p>	<p>Front steps</p> <p>NCS S8010-Y50R x2 sets (x4 pcs.)</p>

ACCESSORY BAG 2

<p>MODIFIED BUFFER BEAMS (x1 pc, complete + x1 pc, cut)</p>	
<p>x 1+1 sets (x 2+2 pcs.)</p> <p>Air couplers - RAL 9005</p>	<p>Metal hook</p> <p>x1 pc. - RAL9005</p>
<p>Cut front board for old type bogies</p> <p>NCS S8010-Y50R - x1 pc.</p>	<p>Complete front board for old type bogies</p> <p>NCS S8010-Y50R - x1 pc.</p>