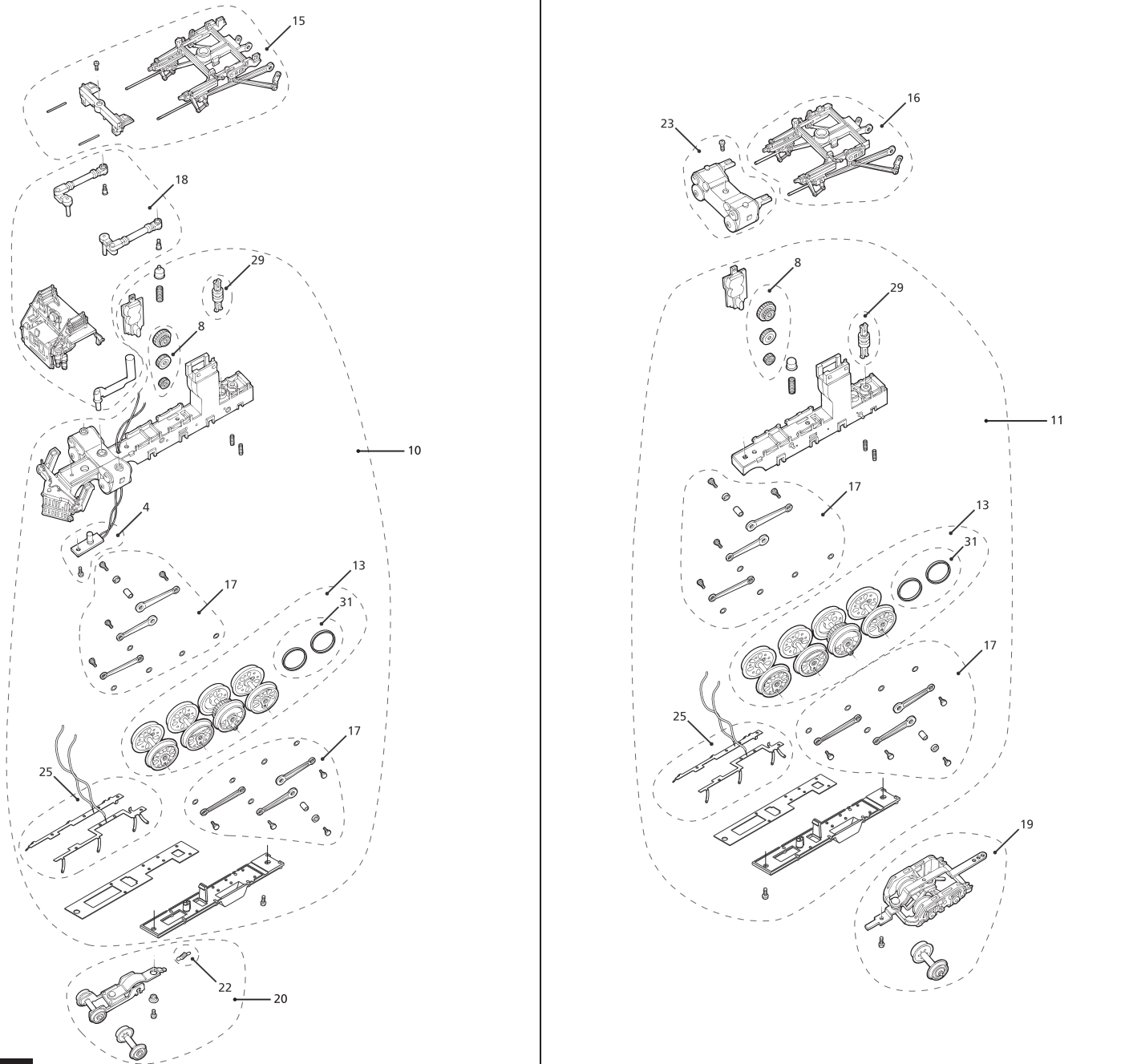


LIST OF SPARES / LISTA RICAMBI / ERSATZTEILLISTE

Part No. N° di parte Teil-Nr.	Description Descrizione Bezeichnung	Spare part ref. N° di ricambi Ersatzteil-Nr.
1	Motor + Flywheel Motore + Volano Motor + Schwungscheibe	HR2637/01
2	Motor support Supporto motore Motorhalterung	HR2357/02
3	Main PCB board Scheda principale a circuiti stampati Hauptleiterplatte	HR2884/03
4	Light PCB Scheda circuito stampato luci Lichtleiterplatte	HR2637/04
5	Coupler pack Confezione attacco Kupplungssatz	HR2637/05
6	Worm pinion / Shaft assembly Gruppo pignone solidaie / Albero Schneckenantriebs-/ Wellen-Baugruppe	HR2357/06
7	Universal shaft pack Confezione albero universale Universal-Wellensatz	HR2357/07
8	Gear set Set ingranaggi Zahnrad-Satz	HR2357/08
9	Gear box cover Carter trasmissione Getriebe-Abdeckung	HR2357/09
10	Front powered truck, complete Azionamento anteriore Antriebseinheit vorn	HR2637/10
11	Rear powered truck, complete Azionamento posteriore Antriebseinheit hinten	HR2637/11
12	Front bogie tender (with wheels) Carrello anteriore tender (con ruote) Drehgestell vorn (Tender, mit Rädern)	HR2357/12
13	Wheel set (Locomotive) Set ruote (Loco) Radsatz (Lok)	HR2357/13
14	Wheel set (Tender) Set ruote (Tender) Radsatz (Tender)	HR2357/14
15	Valve gear set (Front) Set distribuzione (anteriore) Steuerungs-Satz (vorn)	HR2357/15
16	Valve gear set (Rear) Set distribuzione (posteriore) Steuerungs-Satz (hinten)	HR2357/16

LIST OF SPARES / LISTA RICAMBI / ERSATZTEILLISTE		
Part No. N° di parte Teil-Nr.	Description Descrizione Bezeichnung	Spare part ref. N° di ricambi Ersatzteil-Nr.
17	Connection rods Bielle Kuppelstangen	HR2357/17
18	Platform pack (4014) Confezione piattafoma (4014) Plattform-Satz (4014)	HR2637/18
18	Platform pack (4018) Confezione piattafoma (4018) Plattform-Satz (4018)	HR2639/18
19	Rear pony truck (with wheel sets) Carrello posteriore loco (con ruote) Drehgestell hinten (Lok, mit Rädern)	HR2357/19
20	Front pony truck (with wheel sets) Carrello anteriore loco (con ruote) Drehgestell vorn (Lok, mit Rädern)	HR2357/20
21	Rear tender pony truck Carrello posteriore tender (con ruote) Drehgestell hinten (Tender, mit Rädern)	HR2357/21
22	Bogie springs Molle carrello Drehgestellfedern	HR2357/22
23	Cylinder block Blocco cilindri Zylinderblock	HR2357/23
24	Pack of tender front and end side for UP 4014 with fuel tender Parti anteriori e posteriori per UP 4014 con tender a nafta Tenderfront- und endseiten für UP 4014 mit Öltender	HR2884/24
25	Current pick ups Lamelle presa di corrente Radstromabnehmer	HR2637/25
26	Connecting cable (incl. plug) betw. locom. and tender Connettore tender/loco Tender-Lok-Steckverbinder	HR2357/26
27	Screw pack (for tender) Confezione viti (per tender) Schrauben-Satz (für Tender)	HR2357/27
28	Screw pack (locomotive body shell) Confezione viti (corpo) Schrauben-Satz (Lokomotivkörper)	HR2357/28
29	Centre pin pack Confezione perno centrale Drehzapfen-Satz	HR2357/29
30	Assembly pack (for locomotive) Confezione Complessivo (per loco) Baugruppen-Satz (für Lok)	HR2357/30
31	Traction tyres pack (4 pcs.) Pneumatici Trazione (4 unità) Haftreifen (4 stück)	HR2357/31



HORNBY HOBBIES
www.hornbyinternational.com

Manufactured by: **HORNBY HOBBIES LTD**
Westwood, Margate, Kent, CT9 4JX, UK
+44 (0)1843 233525

EU Authorised Representative: **HORNBY ITALIA SRL**
Viale dei Caduti, 52/A6, Castel Mella (BS), Italy, 25030
+39 0687501292

HORNBY AMERICA
3900 C-2 Industry Drive East
Fife, WA 98424, USA

IT 800 019 850
Customerservices.it@hornby.com
Technicalservices.it@hornby.com

DE 0800 000 26 27
Customerservices.de@hornby.com
Technicalservices.de@hornby.com

UK +44 (0)1843 233 525
Customerservices.uk@hornby.com
Technicalservices.uk@hornby.com

CE UK CA 12V 14+
Issued April 2023 ED Service Sheet HRBS-542hp